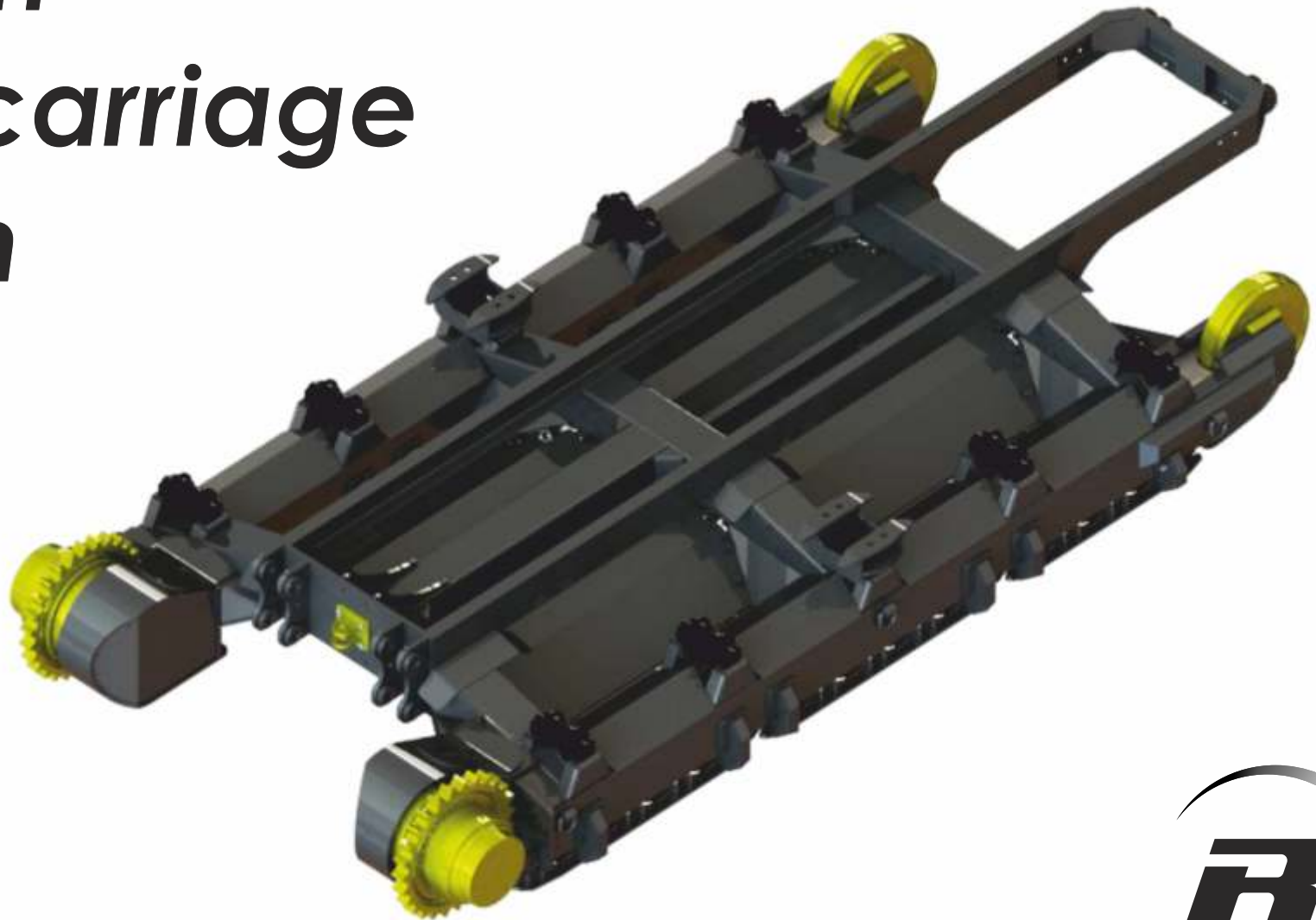


Custom Undercarriage System



Undercarrige solutions

Ryan Engineering's Tracked Undercarrige System is a versatile platform for various heavy duty tracked equipment. We will design and build an undercarrige, adapted specifically to your requirements.

Infinite applications include low ground pressure equipment carriers, tracked dumpers, turf hoppers, heavy winch carriers, tracked crane units and many more.



Ryan Engineering's Tracked Undercarrige System can be customized to your specific needs.

Undercarriges available for machines with a gross weight from 1 - 40 tonnes.

Features & Benefits

Built to the highest standards to meet your requirements. Our undercarriages are designed with state of the art CAD software which enables us to optimise the load carrying capacity while keeping weight to a minimum.

Features include:

- **Structural support plates** reinforce high stress areas to extend undercarriage life
- **Tie down points** for fast, easy & safe securing during transport
- **Front and rear equipment mounting options** increasing potential applications
- **Removable under chassis guard plates** provide protection and floatation in poor ground conditions
- **Full length track guides** help protect and guide your tracks in difficult conditions
- **Removable crawler caps** help prevent debris lodging in difficult to reach areas, reducing cleaning costs



Features & Benefits

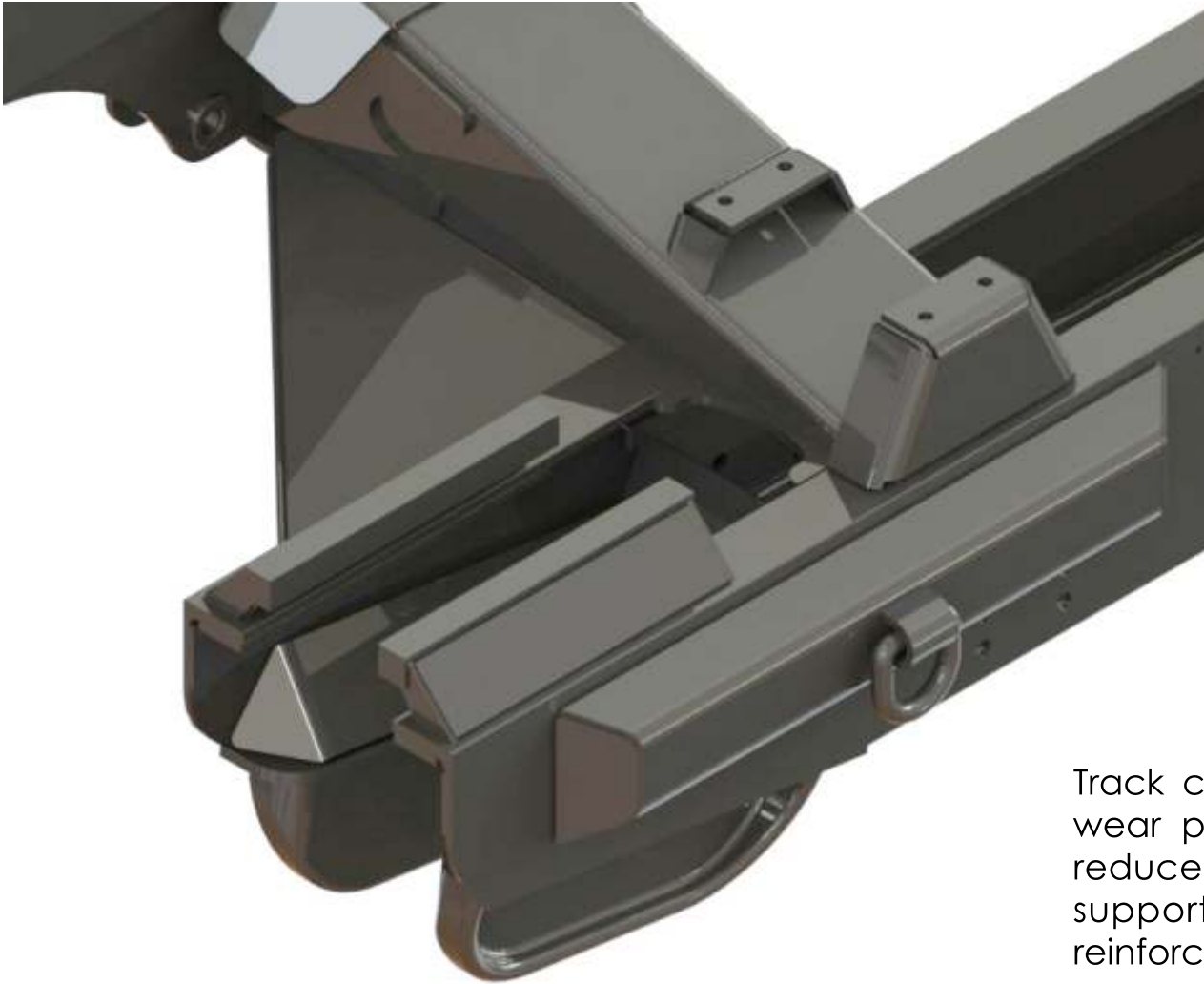
Front view



Side view



Features & Benefits



Track chain idler housing incorporating replaceable wear plates which increase undercarriage life and reduce maintenance cost. The idler housing is supported both inside and out with structural reinforcing to prevent deformation under side loading, as occurs during turning manoeuvres.

Features & Benefits

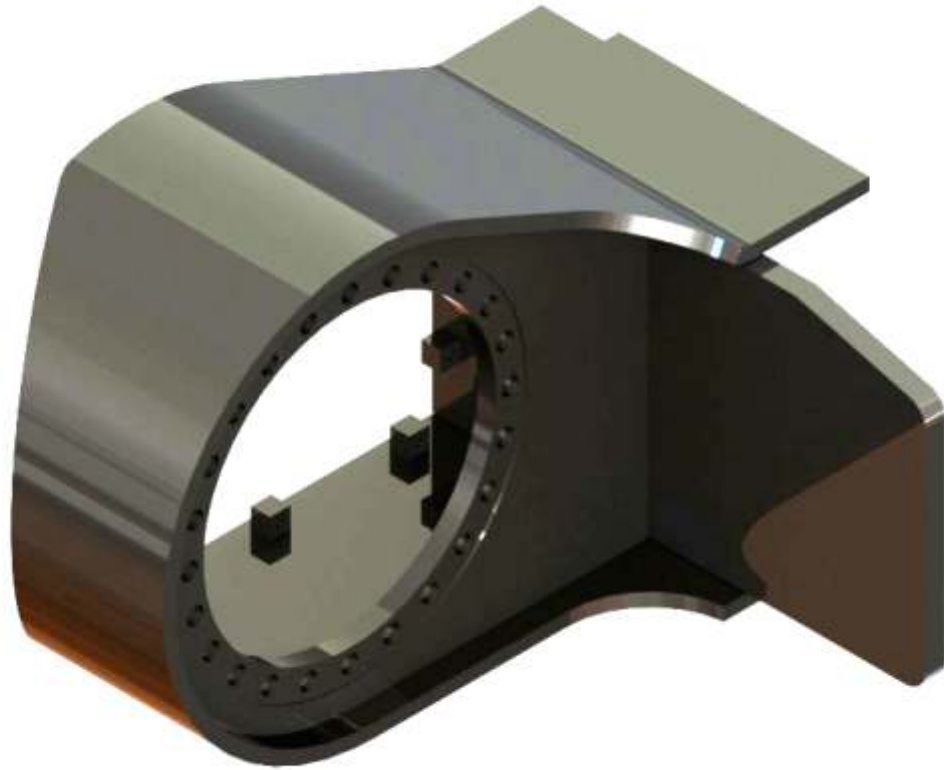


Equipment attachment points designed to meet your requirements.

Drive housings with cover plates and internal ducting for hydraulic lines ensure your hydraulic system is protected from potential damage reducing costs and downtime.

Wear plates on chassis cross members increase undercarriage life when using wide tracks.

Individual components made to order



Drive housings

Full length track guides



Top track guide





RYAN Engineering Contact Details:

Phone : +353 (0)87 205 4466

W e b : www.ryanengineering.ie

E-mail : info@ryanengineering.ie

Address: Tibohine, Castlerea
County Roscommon, Ireland